

Visaton - Solitude



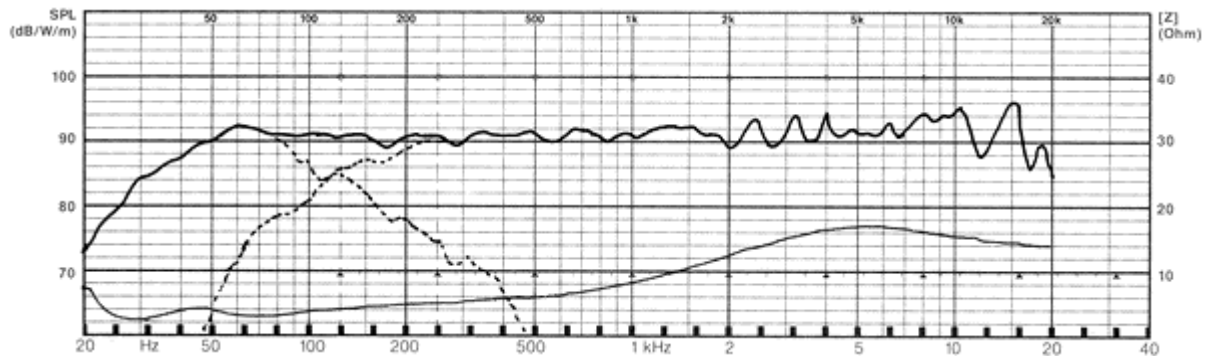
The Solitude set-up combines the direct, highly precise sound reproduction of the B 200 6 Ohm wide-range speaker with the dynamic bass of two GF 200 2 x 4 Ohm. The B 200 6 Ohm is fitted in a completely enclosed, heavily damped compartment. The two GF 200 2 x 4 Ohm woofers are mounted in a voluminous cabinet with a generously dimensioned bass reflex tube. Owing to the very low-frequency separation, Solitude is, in effect, a wide-range speaker with a subwoofer.

First impressions: fantastic sound! A synthesis of the precision localisation, clarity and analytical precision of the SOLO 100 or SOLO 50 (straight down the axis) and the level accuracy of the CONCORDE MK III. The bass is deep but not heavy, the medium range clearly evident, with no fuzzy fringes. We could not detect a break between the bass and the rest - the sound was more homogeneous and pure than we had ever heard from any other wide-range speakers.

The two sections have to be reversed connected. In so doing, it does not matter whether the bass is connected correctly or not as long as the Solitude is playing on its own. In conjunction with other speakers (e.g. in a multichannel system) the bass must, of course be in sync.

Technical Data:

Rated power	100 W
Maximum power	200 W
Nominal impedance Z	4 Ohm
Frequency response	25–20000 Hz
Mean sound pressure level	91 dB (2,83 V/1 m)
Cut-off frequency	120 Hz
Principle of Housing	Bassreflex
Net volume	100 l + 17 l
Outer dimension height	1300 mm
Outer dimension width	270 mm
Outer dimension depth	450 mm



Construction

The cabinet sections, cut from 19 mm chipboard or medium density fibreboard (MDF) board are butt jointed and glued. The chamfers on the baffle can be made with a jigsaw or circular saw set to 45° or added later using an orbital sander. After that, the openings for the driver and terminals are cut out.

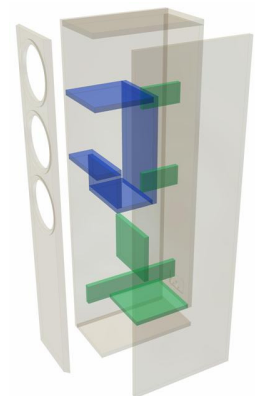
Inner damping

Distribute all the damping material (7 mats) uniformly inside the chamber for the wide-range speaker. The entire woofer chamber does not require damping.

Component parts list for 1 box

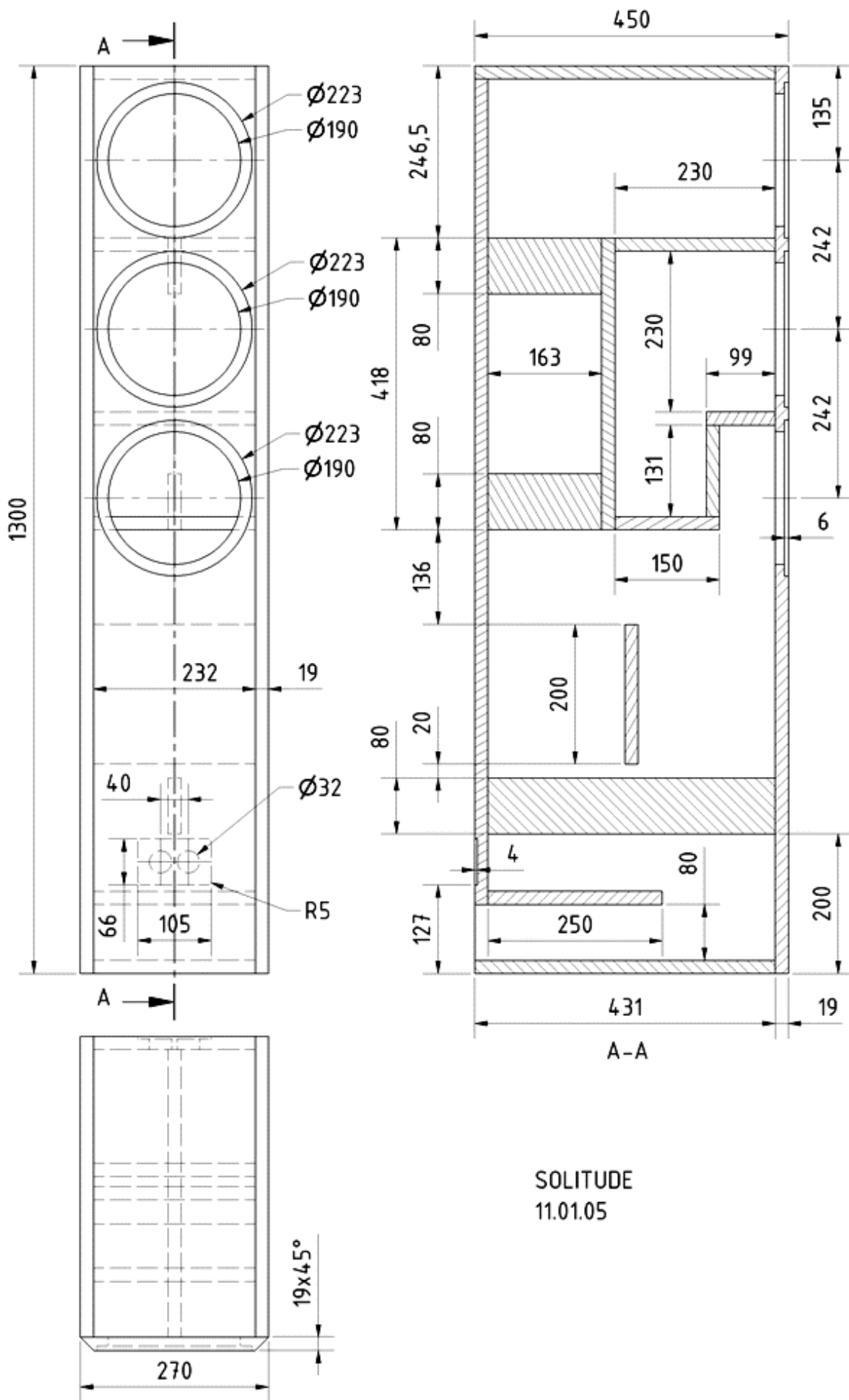
The kit includes all the components listed here but not the cabinet.

Fullrange speaker	B 200 6 Ohm	1 pc.
Woofer	GF 200 2 x 4 Ohm	2 pcs.
Crossover	Crossover SOLITUDE	1 pc.
Terminal	High-End-Terminal	1 pc.
Damping material	Lamb's wool	3.5 bags
Wood screws	4 x 25 mm	18 pcs.
Cable	2 x 2.5 mm ²	5.5 m



Cabinet parts list for 1 box

Parts	Size (mm)	Quantity
Material: 19 mm MDF or chipboard		
Front panel	1300 x 270	1
Side panels	1300 x 431	2
Top/bottom panels	232 x 431	2
Rear panel	232 x 1182	1
Inner top panel	232 x 230	1
Inner rear panel	232 x 418	1
Lower inner bottom panel	232 x 150	1
Lower inner front panel	232 x 131	1
Upper inner bottom panel	232 x 99	1
Brace	232 x 200	1
BR-channel	232 x 250	1
Braces	163 x 80	2
Brace	412 x 80	1



SOLITUDE
11.01.05